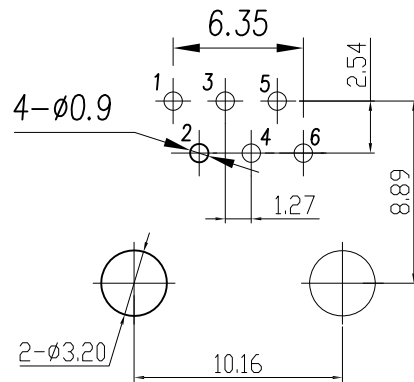
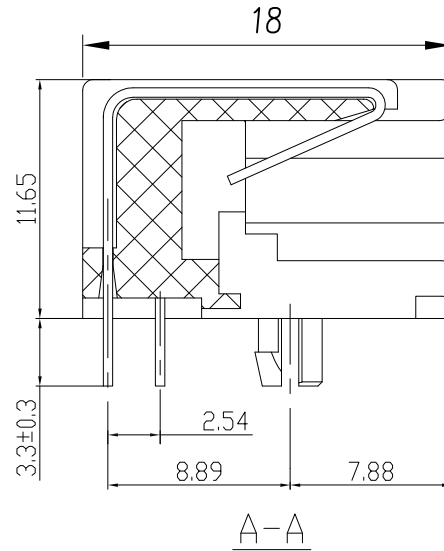
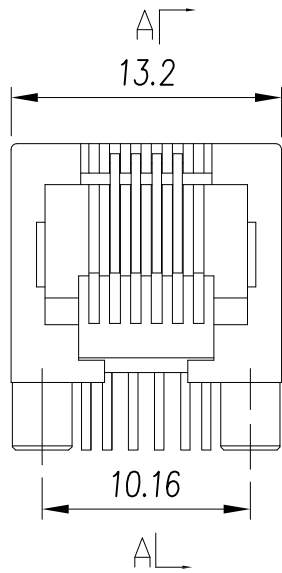
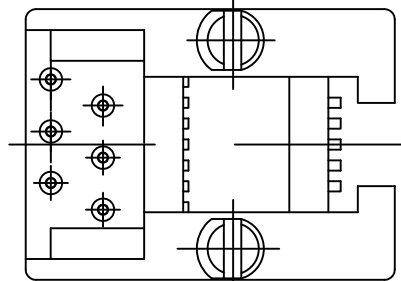


REV.	ECN NO OR DESCRIPTION	REVISED	DATE
AO	INITIAL RELEASE	KEN	20.08.16



PCB LAYOUT



SPECIFICATION NOTES:

ELECTRICAL:

1. VOLTAGE RATING: 125 VAC RMS
2. CURRENT RATING: 1.5 AMP
3. CONTACT RESISTANCE: 30mΩ MAX.
4. INSULATION RESISTANCE: 1000MΩ MIN. AT 500V DC.
5. DIELECTRIC STRENGTH: 1000 VAC 50Hz 1MINUTE

MECHANICAL:

1. HOUSING MATERIAL:  
PBT
2. CONTACTS: ∅0.46mm PHOSPHOR BRONZE, GOLD  
PLATING OVER NICKEL
3. OPERATING LIFE: 750 CYCLES MIN.
4. MATING FORCE: 30N MAX.  
UNMATING FORCE: 30N MAX.

ENVIRONMENTAL:

1. STORAGE: -40° C TO +85° C
2. OPERATION: -40° C TO +85° C

UNLESS OTHERWISE SPECIFIED TOLERANCES		Coorle Technology	
DECIMALS:	ANGLES:	TITLE	JACK 5321 6P6C
X :±0.20	X :±3°	DWN	Michael 20.08.16 <b>PART-NO:</b> RJ25J-5321-66GF-001
X.X :±0.10	X.X :±1°	CHKD	UNIT: mm
X.XX :±0.05		APVD	SHEET: 1 OF 1
		SCALE: 1/1	
<b>ENGINEERING COPY</b>			